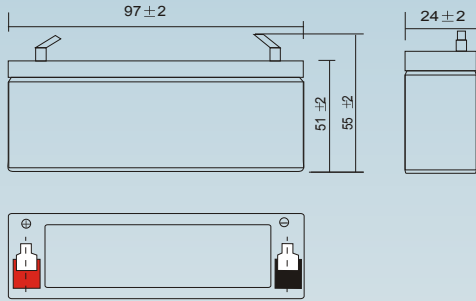


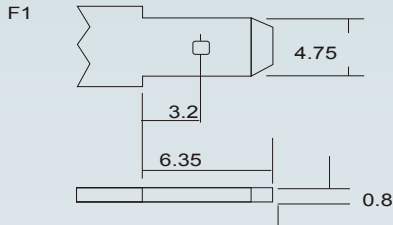
PS Range

(5yr Design Life in Float Service at 20°C)

Dimensions (mm)



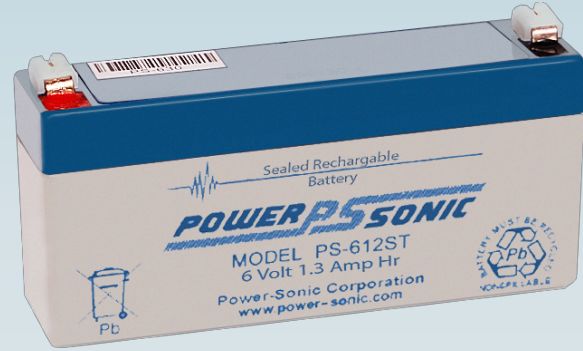
Standard terminal (mm)



Physical Specification

Nominal Voltage		6V
Nominal Capacity (20HR)		1.3 AH
Dimension	Length	97 ± 2 mm
	Width	24 ± 2 mm
	Container Height	51 ± 2 mm
	Total Height (with terminal)	55 ± 2 mm
Weight		Approx 0.28kg
Standard Terminal		F1

PS-612ST 6V 1.3AH



Discharge Characteristics (25°C, 77°F)

Rated Capacity	20hr Rate (1.80V/Cell)	1.30AH	Constant Voltage Charge	Cycle	Initial Charging Current Less than 0.32A Voltage 7.20V ~ 7.50V at 25°C (77°F)
	10hr Rate (1.80V/Cell)	1.24AH			
Capacity Affected by Temperature	8hr Rate (1.75V/Cell)	1.21AH	Standby	Recommended Charge Current less than 0.32A Voltage 6.75V ~ 6.90V at 25°C (77°F)	
	5hr Rate (1.75V/Cell)	1.12AH			
	1hr Rate (1.60V/Cell)	0.85AH			
	40°C (104°F)	103%			
	25°C (77°F)	100%			
	0°C (32°F)	86%			

Internal Resistance mΩ

65.0 mΩ

Constant Current Discharge Characteristics Unit: Amperes (25°C, 77°F)

F.V./Time	5MIN	10MIN	15MIN	20MIN	30MIN	45MIN	1HR	2HR	3HR	4HR	5HR	6HR	8HR	10HR	20HR
1.60V	5.02	3.41	2.52	2.06	1.50	1.04	0.85	0.48	0.366	0.294	0.241	0.204	0.158	0.131	
1.67V	4.33	3.04	2.29	1.89	1.39	0.98	0.81	0.46	0.348	0.28	0.229	0.198	0.155	0.128	
1.70V	4.13	2.91	2.22	1.82	1.34	0.97	0.79	0.46	0.341	0.276	0.227	0.196	0.154	0.127	
1.75V	3.75	2.67	2.08	1.73	1.29	0.936	0.77	0.44	0.332	0.268	0.224	0.192	0.151	0.125	0.066
1.80V	3.32	2.43	1.90	1.61	1.24	0.902	0.73	0.42	0.326	0.263	0.215	0.187	0.149	0.124	0.065
1.85V	2.48	1.90	1.57	1.36	1.05	0.776	0.65	0.39	0.303	0.246	0.201	0.174	0.14	0.117	0.064

Constant Power Discharge Characteristics Unit: (Watts/cell) (25°C, 77°F)

F.V./Time	5MIN	10MIN	15MIN	20MIN	30MIN	45MIN	1HR	2HR	3HR	4HR	5HR	6HR	8HR	10HR	20HR
1.60V	8.3	5.8	4.4	3.70	2.73	1.93	1.59	0.92	0.70	0.56	0.46	0.40	0.308	0.257	
1.67V	7.4	5.3	4.1	3.43	2.56	1.85	1.53	0.88	0.67	0.54	0.44	0.38	0.303	0.252	
1.70V	7.1	5.1	4.0	3.33	2.48	1.83	1.50	0.87	0.66	0.53	0.44	0.38	0.301	0.250	
1.75V	6.6	4.8	3.8	3.19	2.40	1.77	1.46	0.84	0.64	0.52	0.43	0.37	0.297	0.248	0.130
1.80V	6.0	4.4	3.5	2.99	2.33	1.72	1.40	0.81	0.63	0.51	0.42	0.37	0.293	0.245	0.129
1.85V	4.5	3.5	2.9	2.57	2.01	1.49	1.26	0.75	0.59	0.48	0.39	0.34	0.277	0.232	0.127



Power-Sonic Europe Limited
 3 Buckingham Square, Wickford, Essex, SS11 8YQ
 Tel: +44 (0)1268 560686 Fax: +44 (0)1268 560902
 sales@power-sonic.co.uk
 www.power-sonic.co.uk